

# Industrial Pressure Transmitter

Model: PT124B-216 (LED display)



## Description

Adopting global advanced electron ceramic technology, PT124B-216 (LED display) with low range has the character of overload resistance, high impact resistance, excellent linearity, lasting high stability, wide temperature range, corrosion proof, etc. This series can be applied in Defense industry, scientific research, Space industry, Petroleum, Chemical industry, Electric power, Ocean and other fields.



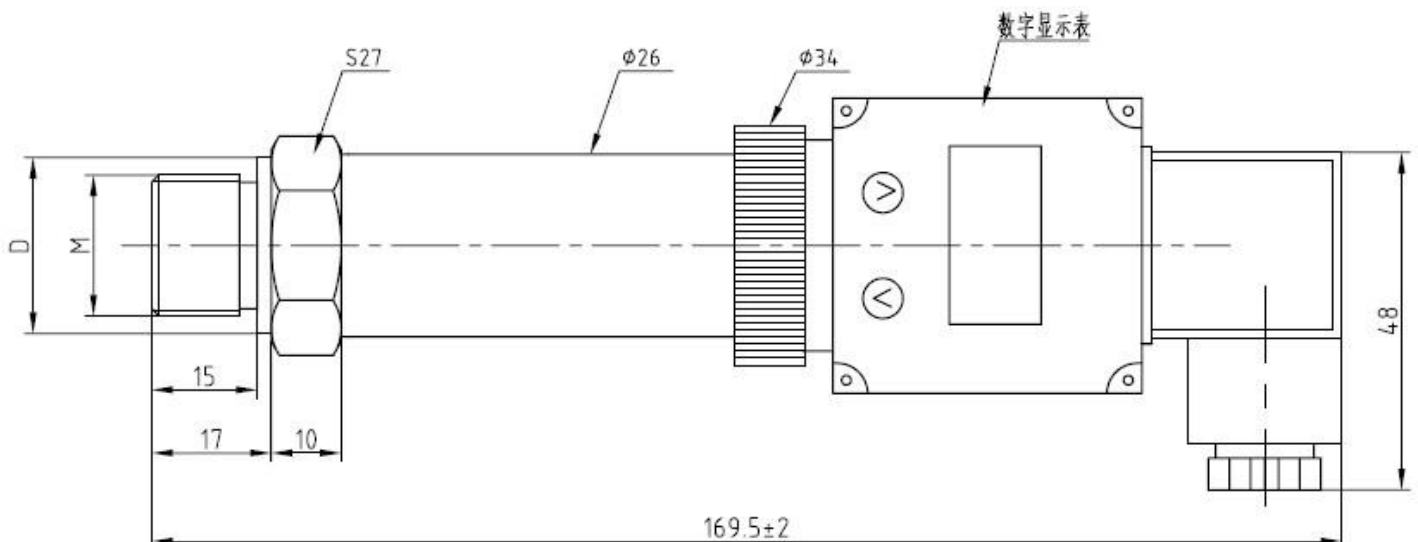
## Application

- ◆ Defense industry, Scientific research, Space industry
- ◆ Petroleum, Chemical industry
- ◆ Electric power, Ocean and other fields

## Feature

- ◆ Pressure Range:-1~0~2000bar
- ◆ LED local display
- ◆ High accuracy, stable capability, little temp-draft
- ◆ overload resistance, high impact resistance, excellent linearity
- ◆ Lasting high stability
- ◆ Wide temperature range, corrosion proof

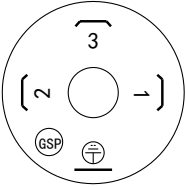
## Dimension



## Specification

Range:	-1~ 0~2000bar
Accuracy:	0.5%FS
Nonlinearity:	0.2%FS
Reliability:	0.05%FS
Output:	4-20mA ( 2 Wire ) , alarm optional
Input voltage:	24(12~36)VDC (Amplify signal )
Operat Temperature:	-40~80℃
Compensated temperature:	0~70℃
Overload pressure:	150%FS
Medium material:	stainless steel
Electric connector:	Hirschman (Big DIN)
Process connector:	G1/4, G1/2, 1/2NPT, 1/4NPT, M12*1.5 (Customer design)

## Wiring code

Electric connector	2 wire(4-20mA)			3 wire (0-10V, 0-5V, 0.5-4.5V)		
	Pin	Function	Color	Pin	Function	Color
<b>Hirschman</b> 	1	E+/S+	Red	1	E+	Red
	2	E-/S-	Black	2	S+	Blue
	3	---	---	3	E-/S-	Black

## Ordering Guide

Model	Range(bar)	Output	Screw Thread	Electric connection	Other requirement
PT124B-216	---	---	---	---	---
Example: PT124B-216-50Bar-4/20mA-G1/2-Hirschmann					

**Note:** when order not emphasized with need alarm output , standard product is without alarm .

### Shanghai Zhaohui Pressure Apparatus Co., Ltd

5-6F No.8 Building No.115 ,Lane 1276 Nanle Road  
 Songjiang District Shanghai 201600 China  
 Tel:+86-21-51691919 67755189 Fax:+86-21-67755185  
 E-mail: info@zhyqsensor.com  
 www.zhyqsensor.com

