

Melt Pressure Transducer

Model: PT124B-126 (Flange mounting)



Description

PT124B-126 Series Melt Pressure Transducer (Flange type) adopts special construction design and excellent alloy elastic membrane to reduce the thermal draft and improve measurement accuracy. The zero & full span can be calibrated, with amplify signal be connected with PLC and 80% calibration inside. It has wide application of pressure measurement & control for melt-temp liquid for chemical and fiber equipment, polyester equipment, etc.

Application

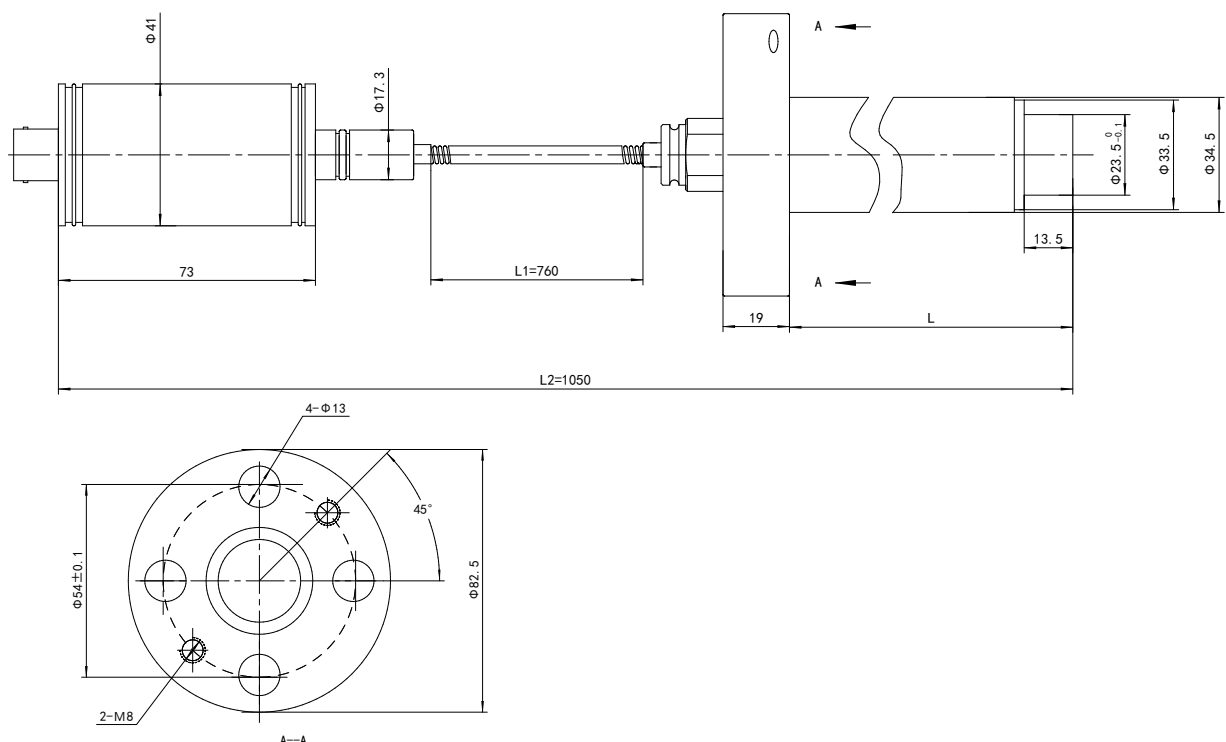
- ◆ Chemical fiber Equipment
- ◆ Polyester equipment
- ◆ Other pressure measurement and control

Feature

- ◆ High-standard quality
- ◆ Stainless steel Seal
- ◆ Easy to install
- ◆ Zero & Span Calibration
- ◆ Internal 80% calibration
- ◆ Excellent stability and repetition



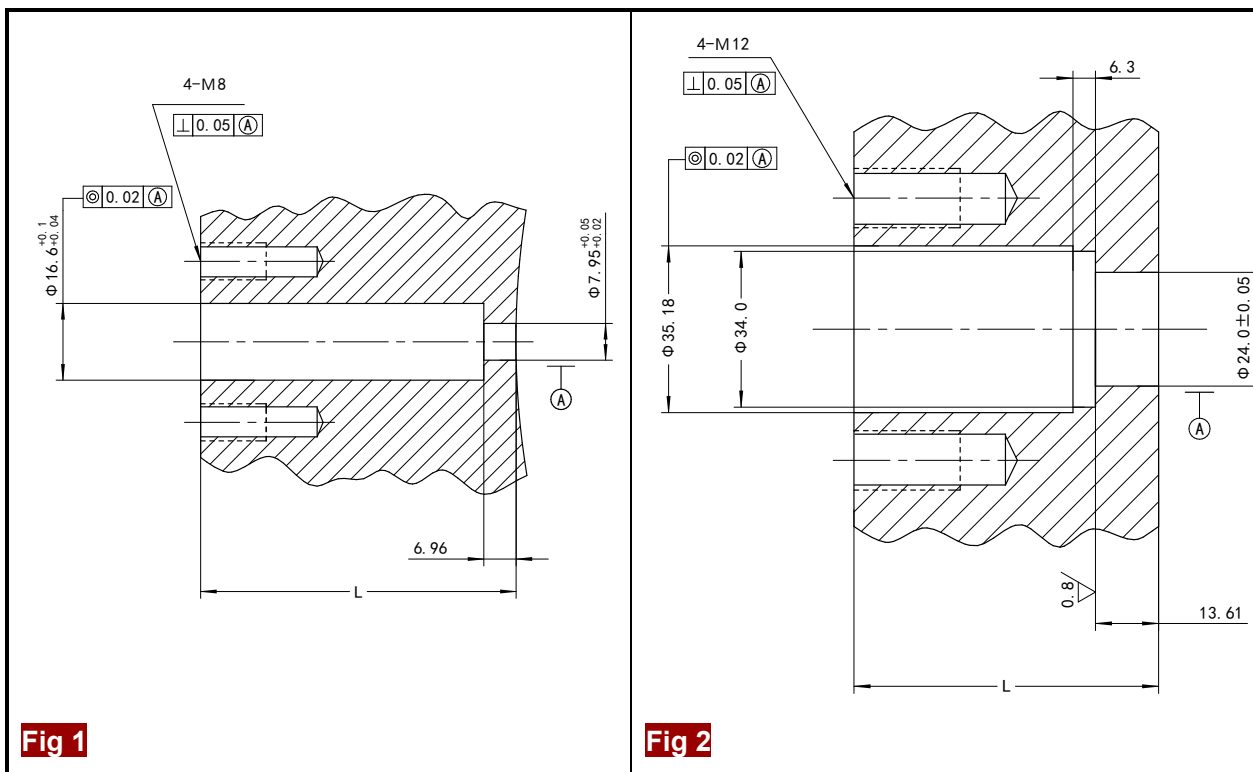
Dimension



Specification

Range:	0...1MPa to 0...150MPa
Output:	0~5V; 0~10V; 4~20mA; 2mV/V; 3.33mV/V
Accuracy:	±0.5%FS; ±1%FS
Input voltage:	24 (12-36V) DC; 10VDC
Repeatability:	±0.2%
Construction:	Wheatstone bridge
Bridge resistance:	350 ohms±10%
Overload pressure:	2×FSO
Internal calibration:	80%±1%
Insulation Resistance:	1000Megohms @50Vdc
Max. Diaphragm Temp:	400°C
Electric connector:	5PIN, 6PIN
Process connector:	Flange

Mounting Hole



Ordering Guide

Model	Range(bar)	Output	Screw Thread	Electric connection	Other requirement
PT124B-126	---	---	---	---	---

Example: PT124B-126-500Bar-4/20mA-Flange-6PIN

Shanghai Zhaohui Pressure Apparatus Co., Ltd

5-6F No.8 Building No.115 ,Lane 1276 Nanle Road Songjiang District Shanghai 201600 China
 Tel:+86-21-51691919 67755189 Fax:+86-21-67755185
 E-mail: info@zhyqsensor.com
 www.zhyqsensor.com

